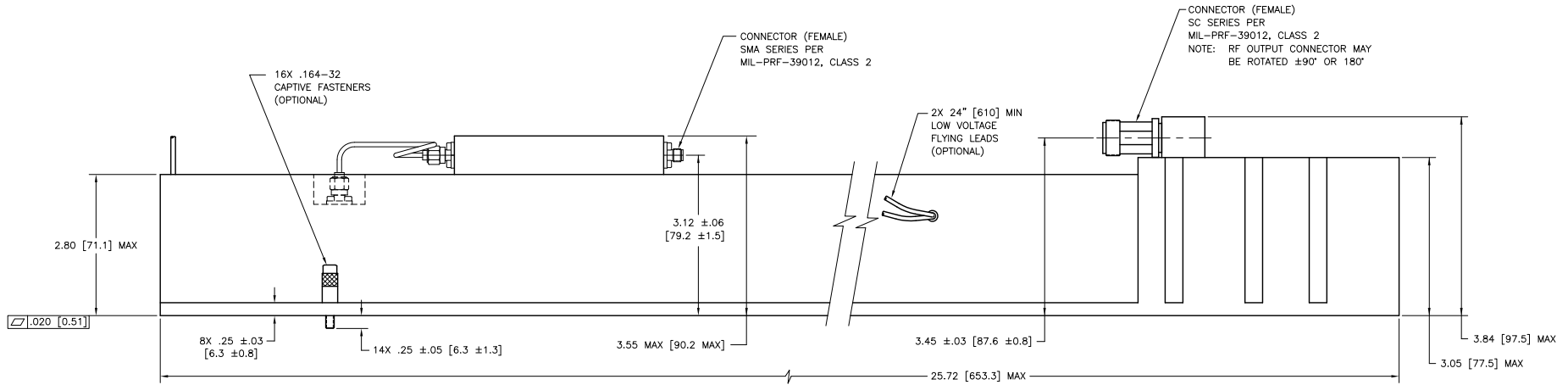
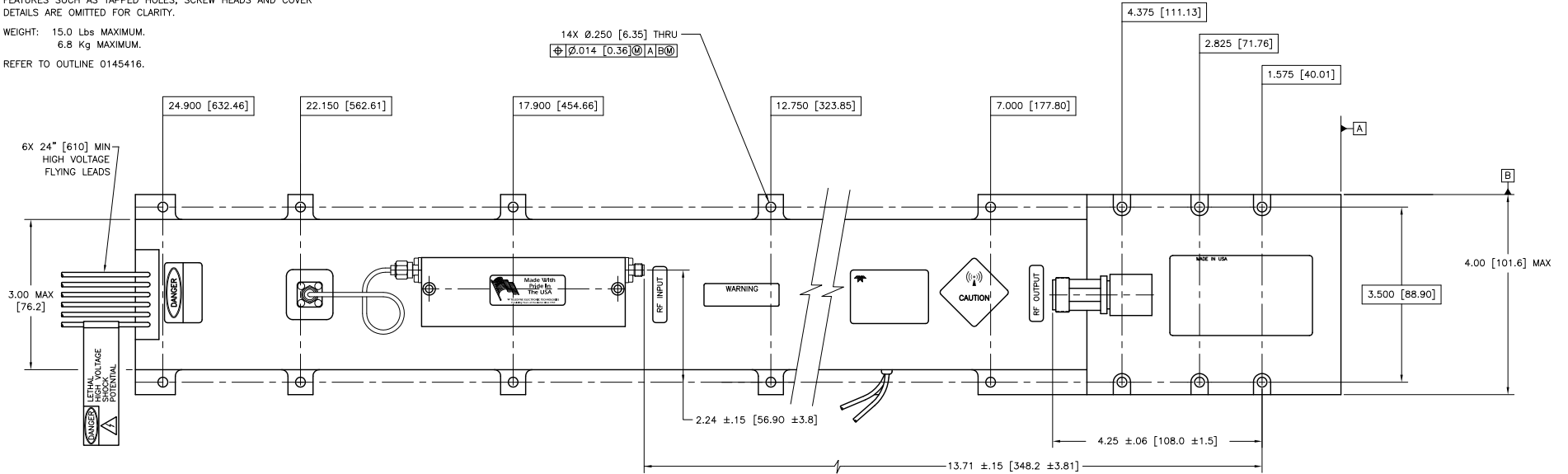


NOTES:

1. FEATURES SUCH AS TAPPED HOLES, SCREW HEADS AND COVER DETAILS ARE OMITTED FOR CLARITY.
2. WEIGHT: 15.0 Lbs MAXIMUM.  
6.8 Kg MAXIMUM.
3. REFER TO OUTLINE 0145416.



HIGH VOLTAGE CONNECTIONS

| FUNCTION     | COLOR  |
|--------------|--------|
| HEATER       | BROWN  |
| CATHODE      | YELLOW |
| GRID         | GREEN  |
| COLLECTOR #1 | RED    |
| COLLECTOR #2 | WHITE  |
| COLLECTOR #3 | BLUE   |

LOW VOLTAGE CONNECTIONS

| FUNCTION          | COLOR |
|-------------------|-------|
| HELIX/GROUND      | BLACK |
| THERMOSTAT (N.C.) | GRAY  |

SUBJECT TO CHANGE W/O NOTICE

ISO 9001:2000 Registered

DO NOT SCALE DRAWING  
UNLESS OTHERWISE NOTED  
DIMENSIONS ARE IN INCHES  
TOLERANCES ON  
DECIMALS ANGLES  
XX ±.02 XXX ±.005 ±2°  
REMOVE ALL BURRS AND  
SHARP EDGES  
SURFACE ROUGHNESS PER  
ASA B46.1  
DIM AND TOL. W/ ASME Y14.5M - 1994

**TELEDYNE MEC**  
11361 Sunrise Park Dr., Rancho Cordova, CA (916) 638-3344

TITLE  
**OUTLINE DRAWING  
MEC 3102**